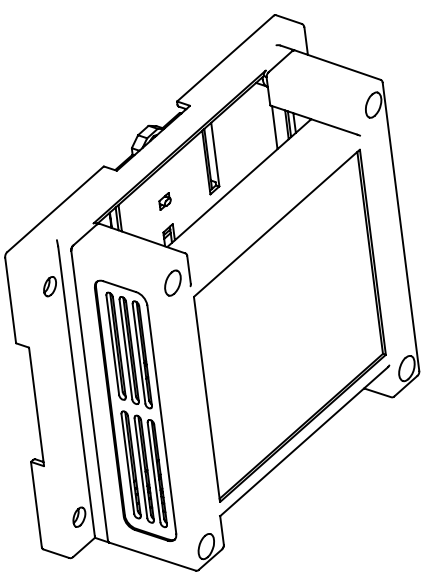
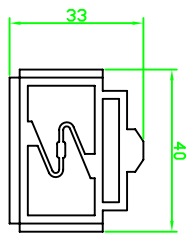
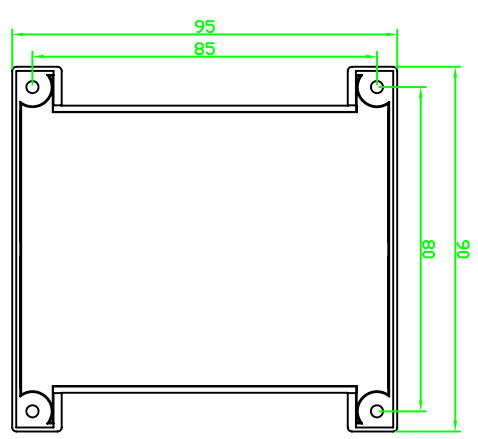
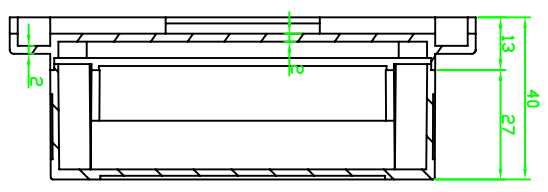
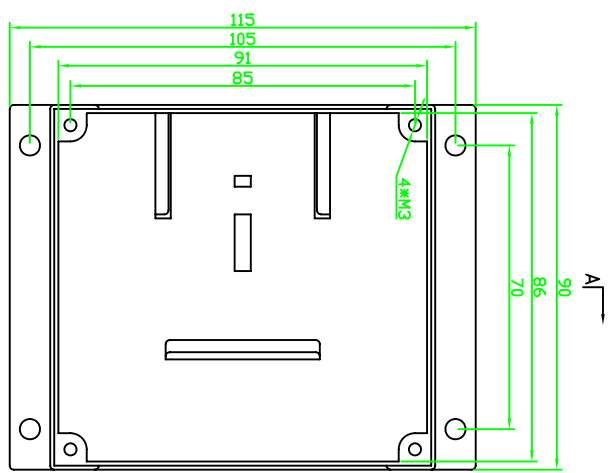


REVISION RECORD				
REV	ECD	DESCRIPTION	DRFT	CHKD



DETACHED LISTS			
 FIRST ANGLE PROJECTION	MM (INCH) TOLERANCES EXCEPT AS NOTED MM: 0 ± 0.3, .00 ± 0.02, .000 ± 0.1 ANGLES ± 5°	DRFTD: DATE: CHKD: DATE: WFD: DATE: APP'VL: DATE:	TITLE: 埃弗勒斯 EVEREST WWW.EVERESTCASE.COM
MATERIAL: ABS QTY: 1 FINISH: SCALE: 1:1	DRAWING NO. PLC006 /PART NO. 00 DD NOT SCALE DRAWING	SIZE: A4 REV:	SHEET 1 OF 1