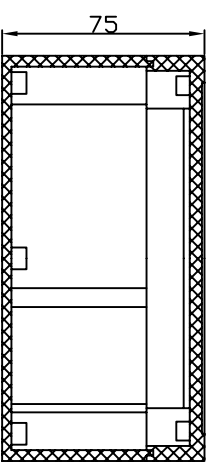
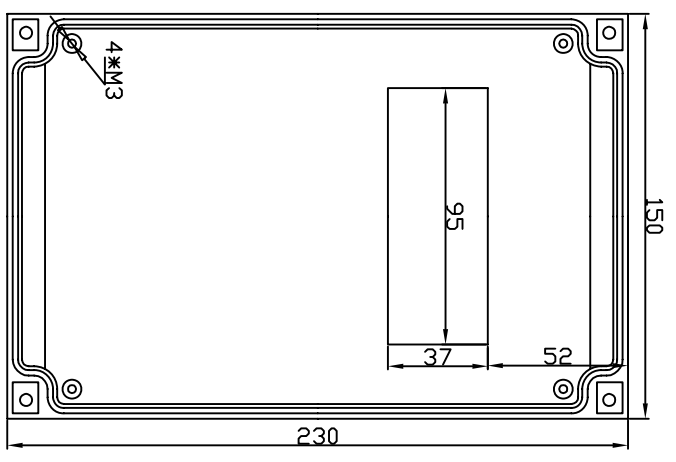
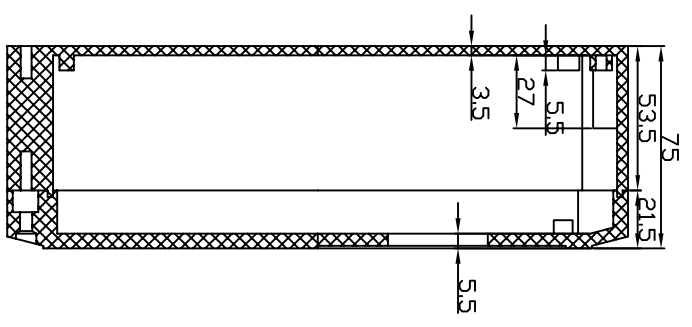
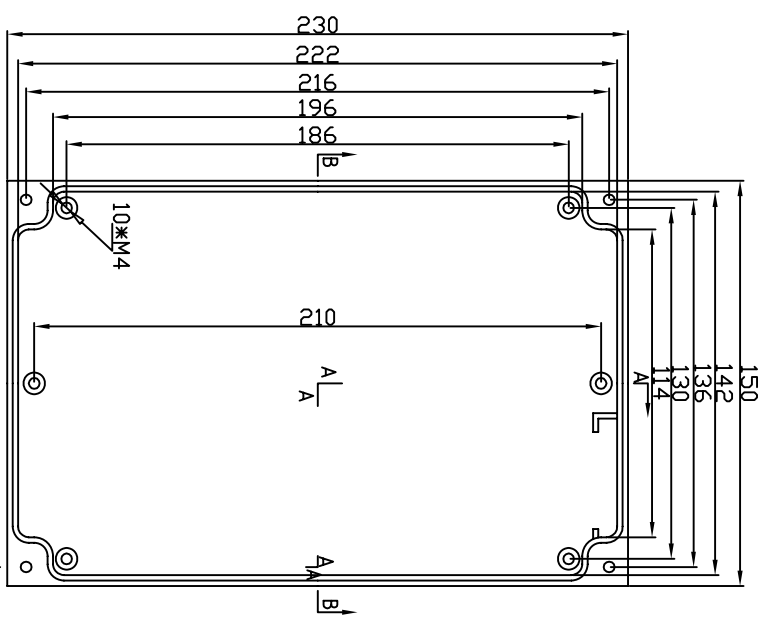


REVISION RECORD				
REV	ECD	DESCRIPTION	DRFT	CHKD



DETACHED LISTS			
 THIRD ANGLE PROJECTION	MM	INCH	↔
	TOLERANCES EXCEPT AS NOTED		
MM	±	±	±
0 ± 0.3	±	±	±
.00 ± 0.02	±	±	±
100 ± 0.1	±	±	±
ANGLES ± 5°		±	
MATERIAL: AL		±	
QTY: 1		±	
FINISH:		±	
SCALE: 1:1		±	
DRWG. NO. AW006	DATE	DATE	DATE
/PART NO. 00	CHKD	DATE	DATE
DD NDT SCALE DRAWING	APPVL	DATE	DATE
 EVEREST www.EVERESTCASE.COM			
TITLE			
AW006			
SIZE	REV	SHEET 1 OF 1	
A4			