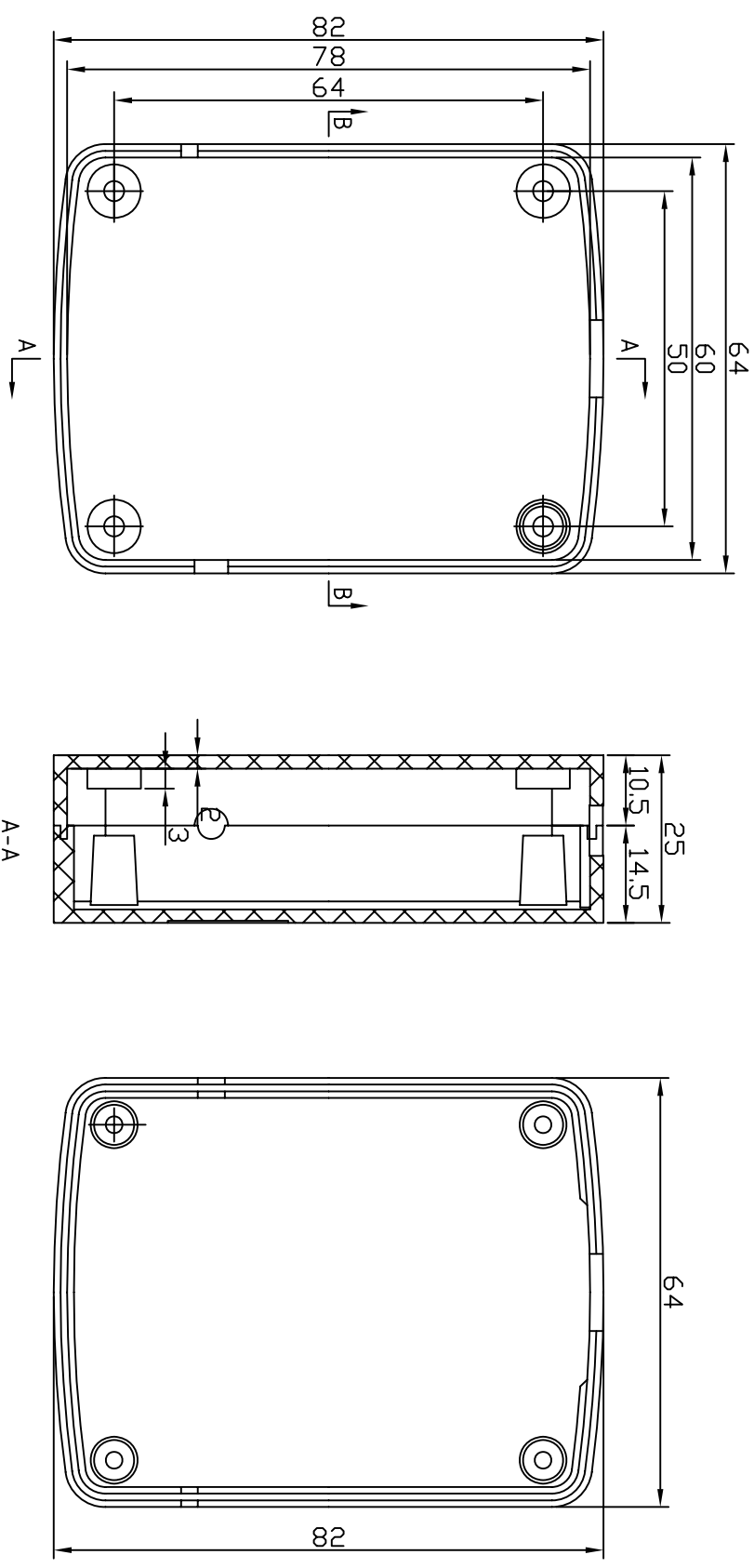


REVISION RECORD				
REV	ECD	DESCRIPTION	DRFT	CHKD



DETACHED LISTS		TOLERANCES EXCEPT AS NOTED		ANGLES ± 5°	
MM	± 0.03	MM	± 0.03	MM	± 0.03
INCH	± 0.001	INCH	± 0.001	INCH	± 0.001
MM	± 0.02	MM	± 0.02	MM	± 0.02
INCH	± 0.0005	INCH	± 0.0005	INCH	± 0.0005

DRFT	DATE	DATE	DATE
CHKD	DATE	DATE	DATE
MFD	DATE	DATE	DATE
APPL	DATE	DATE	DATE

QTY	MATERIAL
1	ABS

FINISH	SCALE
	1:1

DRAWING NO. PC024		SIZE
/PART NO. 00		A4
DID NOT SCALE DRAWING		REV
SHEET 1		OF 1

埃弗斯
EVEREST
WWW.EVERESTCASE.COM

TITLE
PC024