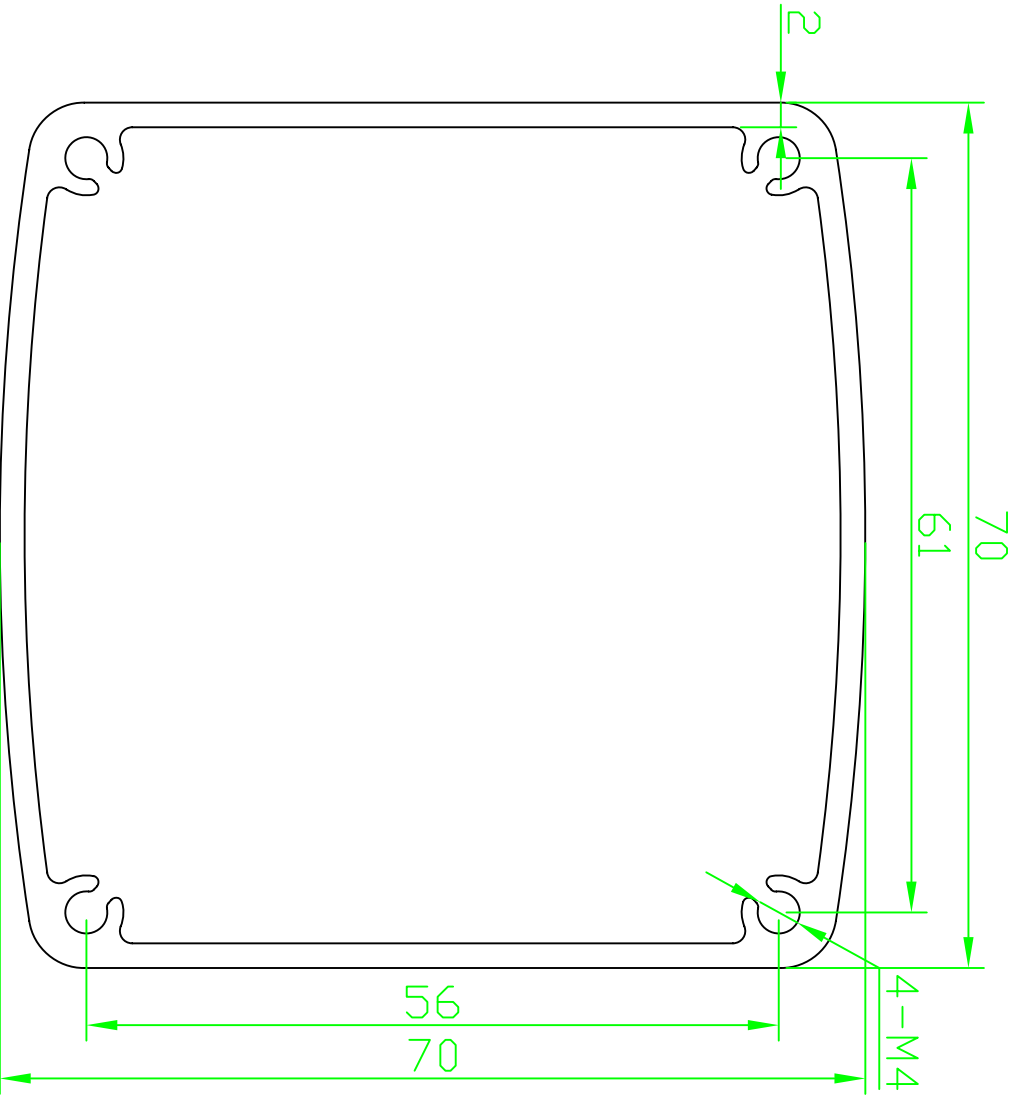


REVISION RECORD				
REV	ECN	DESCRIPTION	DRFT	CHKD



DETACHED LISTS			
 FIRST ANGLE PROJECTION	ANGLE ± 5°	TOLERANCES EXCEPT AS NOTED MM .0 ± 0.3 .00 ± 0.2 .000 ± 0.1	DATE DATE DATE DATE
FINISH:	QTY: 1	MATERIAL: AL	DATE
SCALE: 1:1	DATE	DATE	DATE
DD NOT SCALE DRAWING	SHEET X	OF Y	REV

埃弗勒斯 EVEREST
 WWW.EVERESTCASE.COM

TITLE
 AH1196

DRAWING NO.	AH1196	SIZE	A4
/PART NO.		REV	