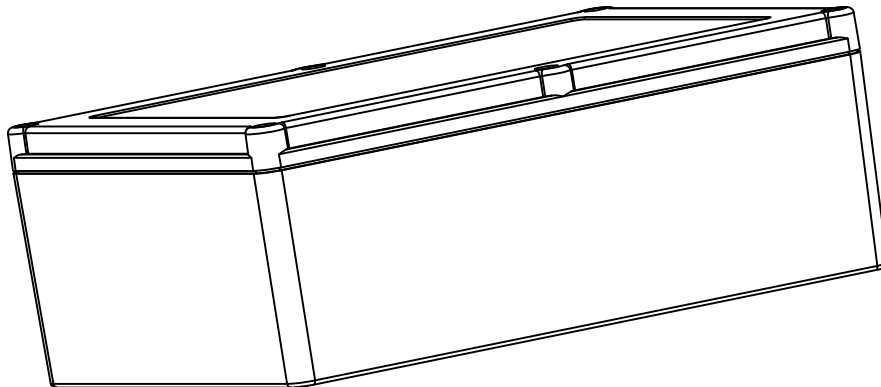
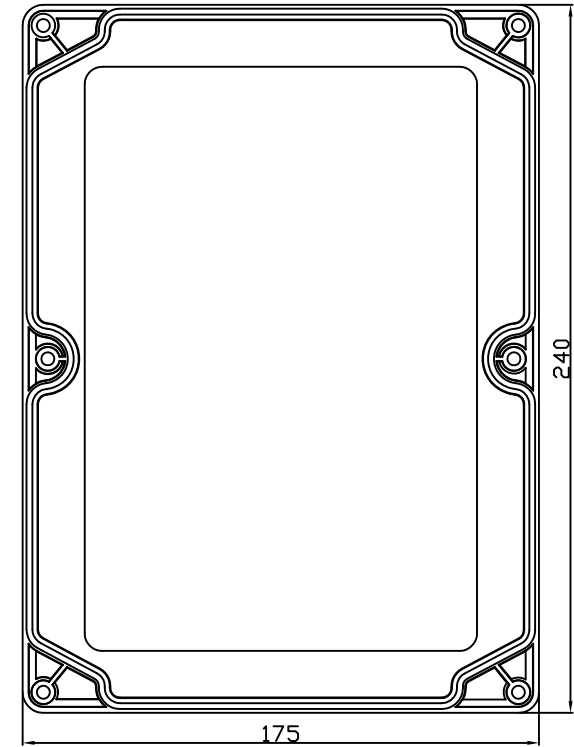
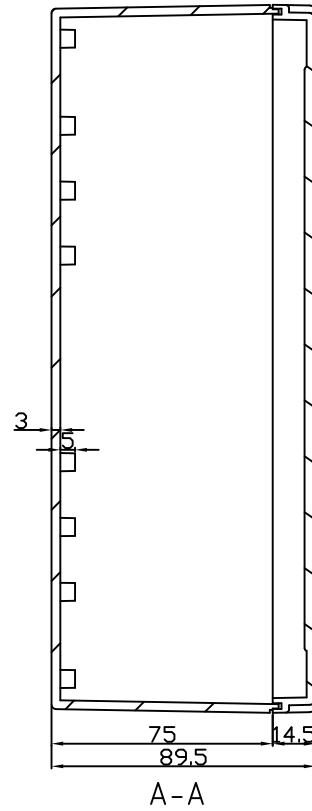
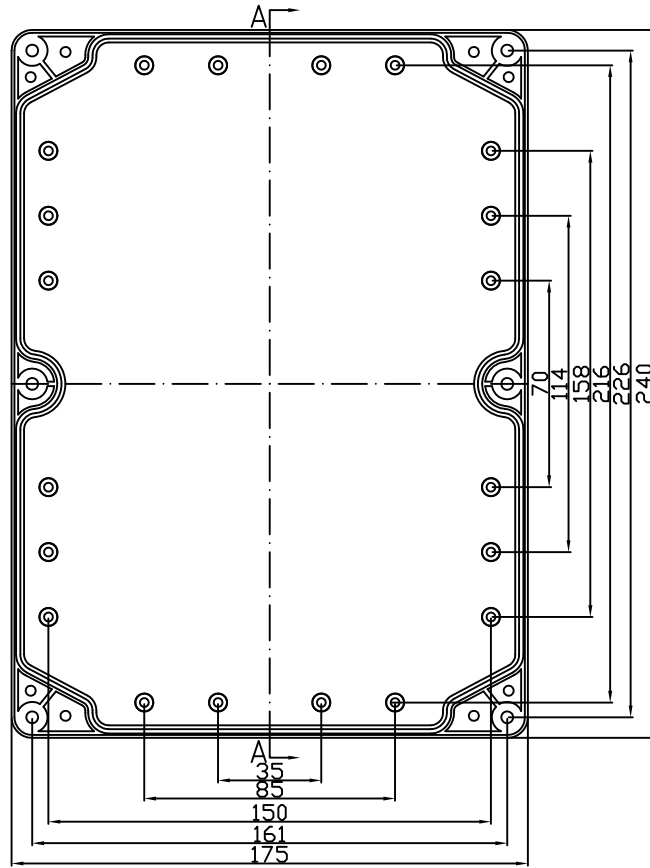


REVISION RECORD				
REV	ECD	DESCRIPTION	DRFT	CHKD



MM (INCH)		NAME	DATE	EVEREST		
TOLERANCES EXCEPT AS NOTED		DRAWN	Aaron	01/14/2015	E:\new logo.jpg	
		CHECKED				
		ENG APPR			TITLE	
		MATERIAL : ABS				
ANGLES ± 5°		QT'Y :			DRAWING NO. PW100	
FIRST ANGLE PROJECTION		FINISH:				SIZE
		SCALE : 1:1			/PART NO. 00	REV
DO NOT SCALE DRAWING				SHEET 1	OF 1	