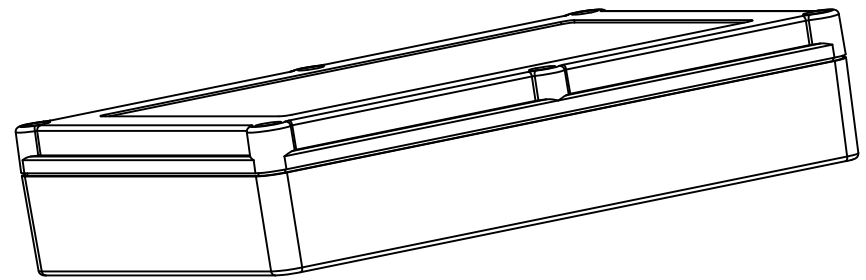
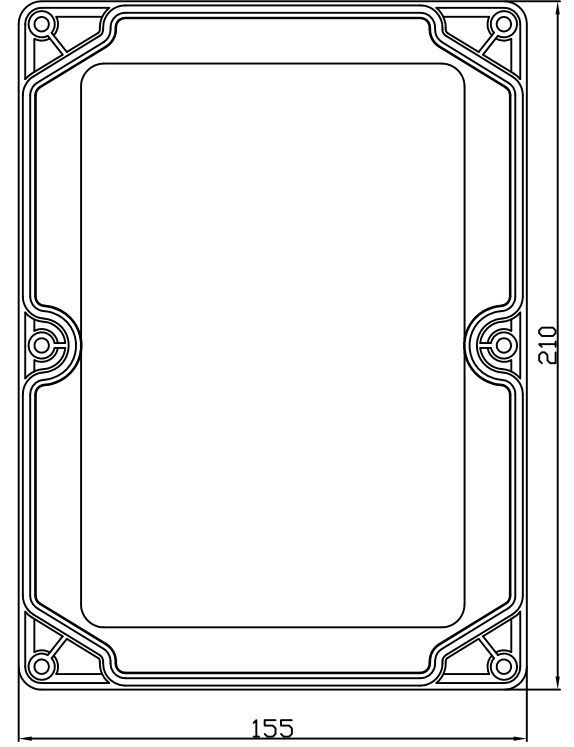
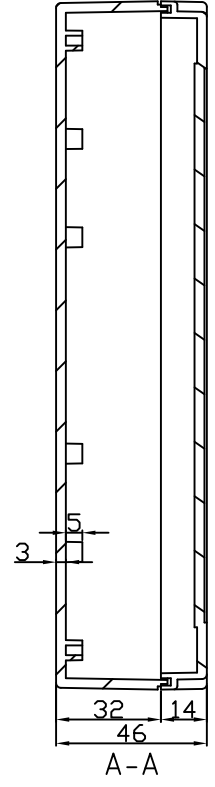
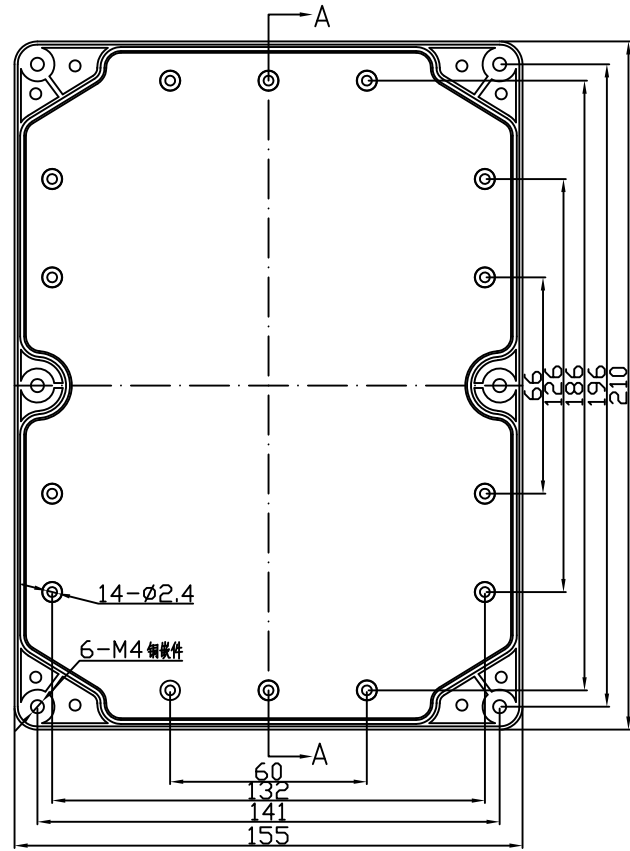



REVISION RECORD				
REV	ECD	DESCRIPTION	DRFT	CHKD



DETACHED LISTS	MM (INCH)		DRAWN	NAME	DATE	 EVEREST WWW.EVERESTCASE.COM	TITLE PW107		
	TOLERANCES EXCEPT AS NOTED		CHECKED	Aaron	01/15/2015				
	MM	±	ENG APPR.						MATERIAL : ABS
	.0 ± 0.3	±	QT'Y :						
.00 ± 0.2	±	FINISH:				DRAWING NO. PW107	SIZE	REV	
.000 ± 0.1	±	SCALE : 1:1				/PART NO. 00	A4		
ANGLES ± 5°		FIRST ANGLE PROJECTION	DO NOT SCALE DRAWING		SHEET 1		OF 1		