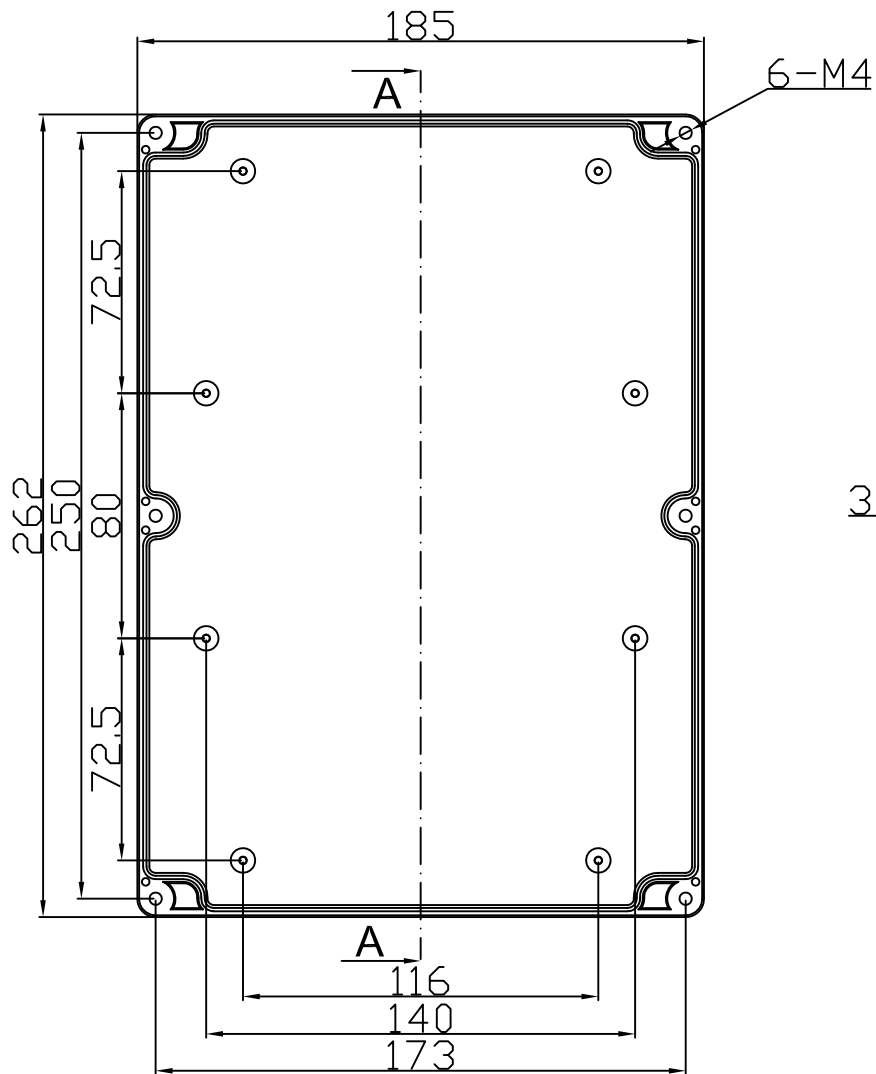
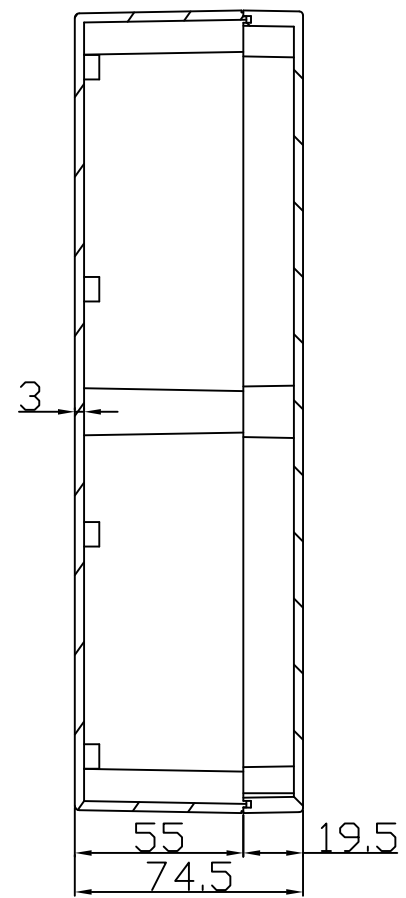


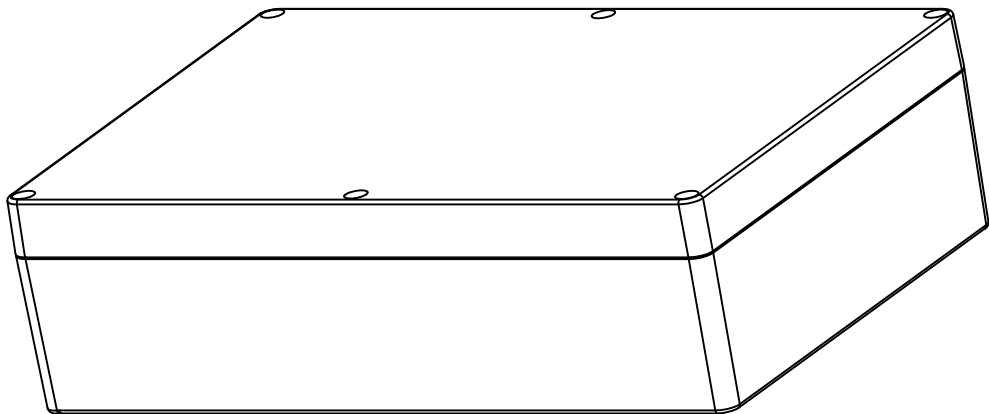
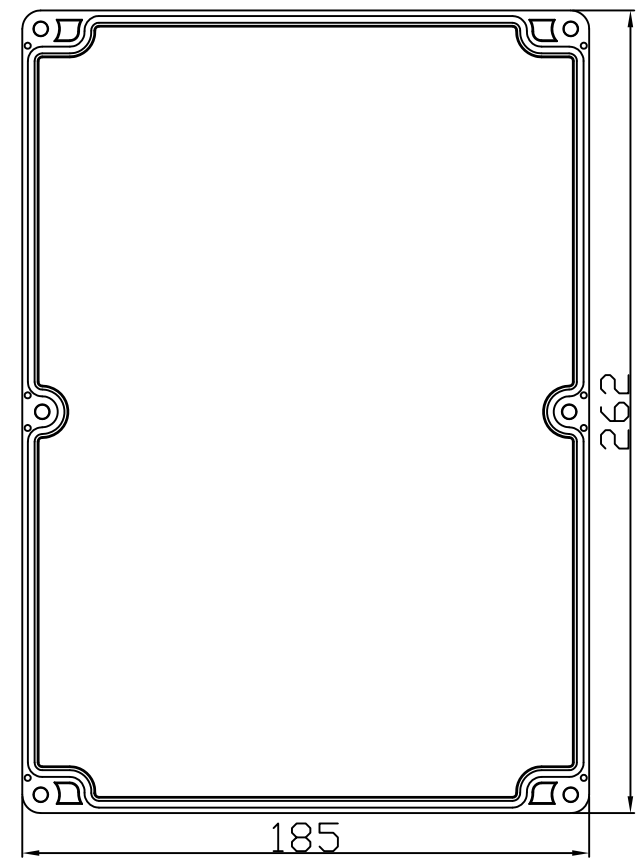
REVISION RECORD				
REV	ECD	DESCRIPTION	DRFT	CHKD



6-M4



A-A



DETACHED LISTS	MM (INCH)	DRAWN	NAME	DATE	E:\new logo.jpg	<b>EVEREST</b> WWW.EVERESTCASE.COM	TITLE		
	TOLERANCES EXCEPT AS NOTED	CHECKED	Kevin	02/28/2015			PW064		
	MM	ENG APPR.	MATERIAL : ABS				DRAWING NO. PW064	SIZE	REV
	.0 ± 0.3	±	QT'Y :				/PART NO. 00	A4	
.00 ± 0.2	±	FINISH:		DO NOT SCALE DRAWING	SHEET 1	OF 1			
.000 ± 0.1	±	SCALE : 1:1							
ANGLES ± 5°									
FIRST ANGLE PROJECTION									